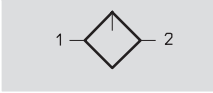


# LOE Lubricators – D Series, NPT

Technical Data

Function



Flow rate  
160 ... 9000 l/min

Temperature range  
-10 ... +60 °C

Pressure  
1 ... 16 bar

The proportional lubricator adds a precision adjustable quantity of oil to the compressed air stream.

The pressure drop that occurs when air flows through a Venturi nozzle is used to convey oil from the container to the drip cap. From here, the oil drips into the air duct directly behind the proportional valve, where it is atomised. The oil mist component is proportional to the compressed air flow rate.



- Proportional lubricator with precision oil metering
- Reduces wear on drive units subject to high loading
- High flow rate
- Quick and easy oil top-up
- Robust metal housing
- Transparent lubricator bowl with metallic bowl guard

The following oils are recommended for Festo components:  
Viscosity range to ISO 3448, ISO class VG 32  
32 mm<sup>2</sup>/s (= cSt) at 40 °C

- Festo special oil → page 9
- ARAL Vitam GF 32
- BP Energol HLP 32
- Esso Nuto H 32
- Mobil DTE 24
- Shell Tellus Oil DO 32

General technical data									
Size	Micro		Mini			Midi		Maxi	
Pneumatic connection	1/8 NPT	1/8 NPT	1/4 NPT	3/8 NPT	3/8 NPT	1/2 NPT	3/4 NPT	3/4 NPT	1 NPT
Operating medium	Filtered compressed air, unlubricated								
Grade of filtration [µm]	5		40						
Design	Proportional standard mist lubricator								
Type of mounting	Via accessories In-line installation								
Assembly position	Vertical ±5°								
Input pressure [bar]	0 ... 10		0 ... 16						
Minimum flow for lubricator operation [l/min]	3		3			8		10	
Maximum oil capacity [cm <sup>3</sup> ]	6.5		45			110		190	

Note: This product conforms to ISO 1179-1 and ISO 228-1

Standard nominal flow rate <sup>1)</sup> qnN [l/min]			
Connection	Port block		
	1/8NPT	QS4	QS6
Micro			
LOE	410	160	330

1) Measured at p1 = 6 bar and Δp = 1 bar.

# LOE Lubricators – D Series, NPT

Technical Data



Standard nominal flow rate <sup>1)</sup> qnN [l/min]						
Connection	1/8 NPT	1/4 NPT	3/8 NPT	1/2 NPT	3/4 NPT	1 NPT
Mini						
LOE	1300	2300	2700	–	–	–
Midi						
LOE	–	2800	5500	6100	6300	–
Maxi						
LOE	–	–	–	8300	8400	9000

1) Measured at p1 = 6 bar and Δp = 1 bar.

Screw-in depth of connecting thread [mm]					
Connection	M5	M7	G1/8	QS4	QS6
Micro					
In housing	5	6	–	–	–
In port blocks	–	–	8	–	–

Ambient conditions				
Size	Micro	Mini	Midi	Maxi
Ambient temperature [°C]	–10 ... +60			
Temperature of medium [°C]	–10 ... +60			
Corrosion resistance class CRC <sup>2)</sup>	2			

2) Corrosion resistance class 2 according to Festo standard 940 070  
 Components requiring moderate corrosion resistance. Externally visible parts with primarily decorative surface requirements which are in direct contact with a normal industrial environment or media such as coolants or lubricating agents.

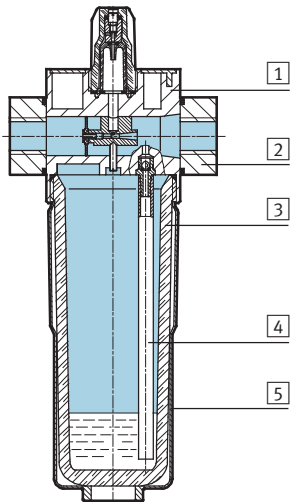
Weight [g]						
Size	Micro		Mini	Midi	Maxi	
	Female thread	Port block			Connection 3/4 NPT	Connection 1 NPT
LOE	39	59	270	630	1100	1200

# LOE Lubricators – D Series, NPT

Technical Data

## Materials

Sectional view



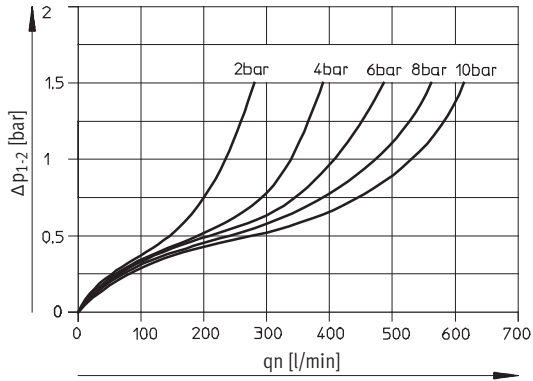
Lubricator	Micro	Mini/Midi/Maxi
1 Housing	Wrought aluminum alloy	Die-cast zinc/aluminum
2 Port blocks	Wrought aluminum alloy	Die-cast zinc/aluminum
3 Bowl	Polycarbonate	Polycarbonate
4 Tubing	Polyethylene	Polyethylene
5 Metal bowl guard	-	Aluminum
- Seals	Nitrile rubber	Nitrile rubber

# LOE Lubricators – D Series, NPT

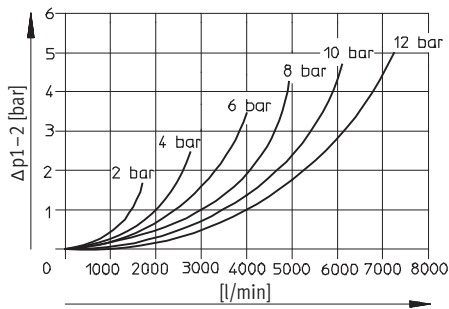
Technical Data

## Standard flow rate $q_n$ as a function of the differential pressure $\Delta p_{1-2}$

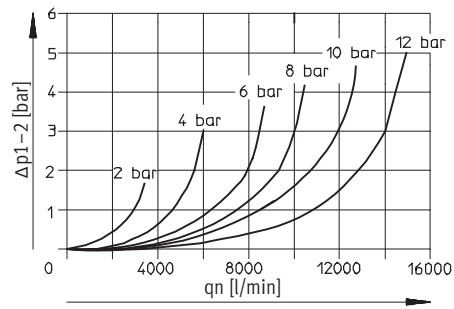
### LOE-1/8-D-MICRO



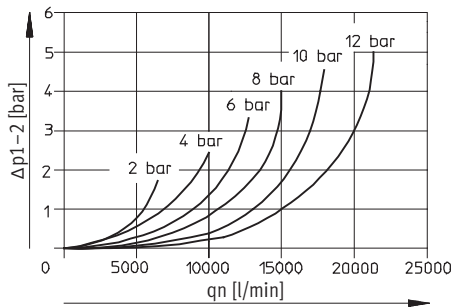
### LOE-1/4-D-MINI



### LOE-1/2-D-MIDI



### LOE-1-D-MAXI

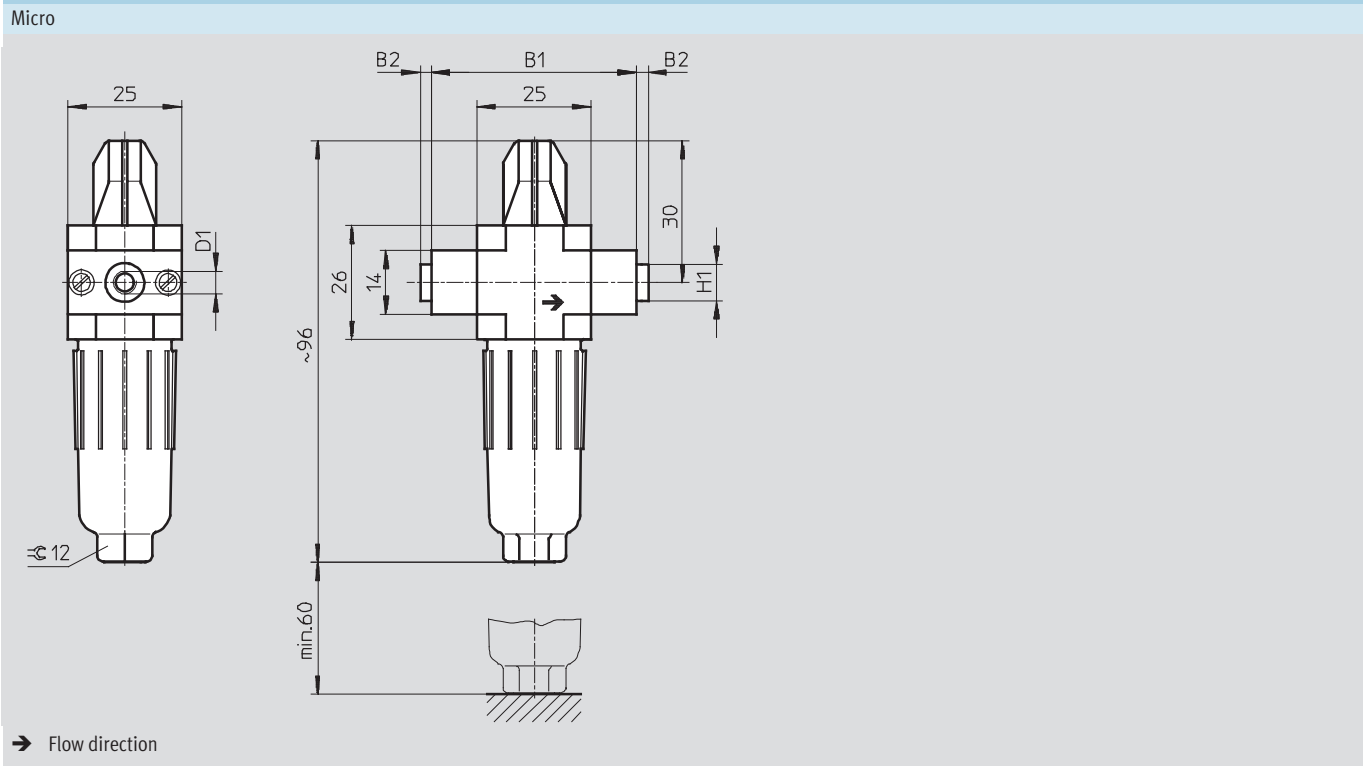


Primary pressure  $p_1 = 10$  bar

# LOE Lubricators – D Series, NPT

Technical Data – Dimensional Drawings

Dimensions Download CAD Data → [www.festo.com/us/cad](http://www.festo.com/us/cad)



Type	B1	B2	D1	H1
MICRO				
LOE-1/8-D-MICRO	45	–	1/8 NPT	–

Note: This product conforms to ISO 1179-1 and ISO 228-1

# LOE Lubricators – D Series, NPT

Technical Data – Dimensional Drawings

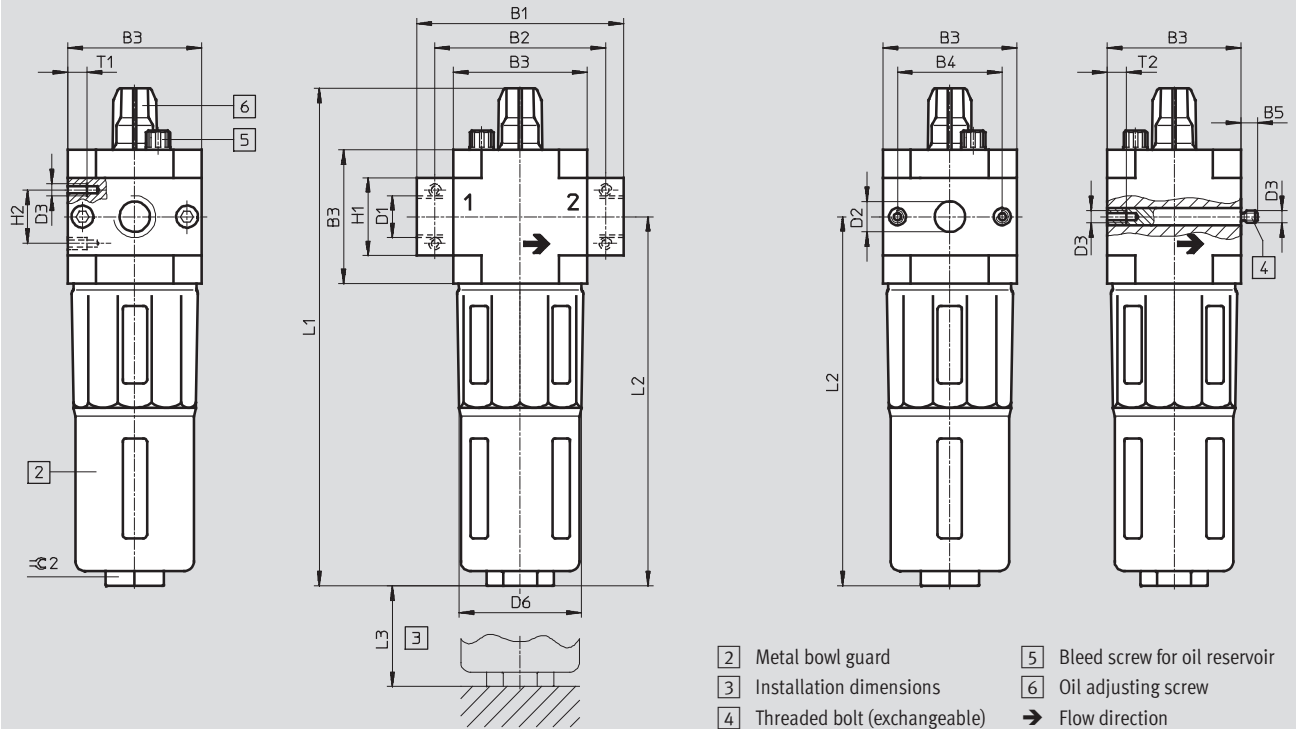


Dimensions Download CAD Data → [www.festo.com/us/cad](http://www.festo.com/us/cad)

Mini/Midi/Maxi

With threaded port blocks

Without threaded port blocks



Type	B1	B2	B3	B4	B5	D1	D2	D3	D6	H1	H2	L1	L2	L3	T1	T2	∅ 2
<b>Mini</b>																	
LOE-1/8-D-MINI	64	52	40	30	-	1/8 NPT	-	M4	38	20	11	169	124	100	7	-	22
LOE-1/4-D-MINI					1/4 NPT	-											
LOE-3/8-D-MINI	70					3/8 NPT											
LOE-D-MINI	-	-			5.8	-	11			-	-				-	10	
<b>Midi</b>																	
LOE-3/8-D-MIDI	85	70	55	43	-	3/8 NPT	-	M5	52	32	22	204	151	120	8	-	24
LOE-1/2-D-MIDI					1/2 NPT	-											
LOE-3/4-D-MIDI					3/4 NPT	-											
LOE-D-MIDI	-	-			6.8	-	24			-	-				-	11	
<b>Maxi</b>																	
LOE-3/4-D-MAXI	96	80	66	46	-	3/4 NPT	-	M5	65	32	22	228	170	150	8	-	24
LOE-1-D-MAXI	116	91			40	-											
LOE-D-MAXI	-	-			6.8	-	30			-	-				-	11	

Note: This product conforms to ISO 1179-1 and ISO 228-1

# LOE Lubricators – D Series, NPT

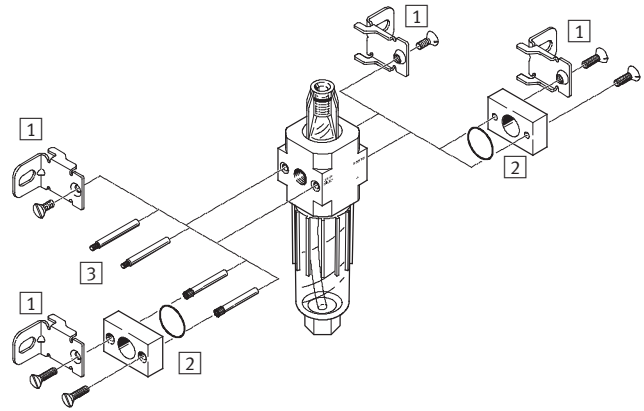
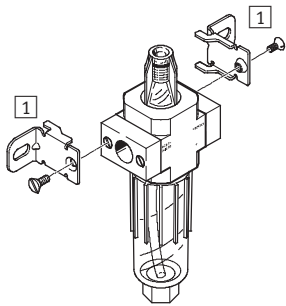
Accessories Overview



## Micro

Individual unit with port blocks

Individual unit without port blocks, for combination unit



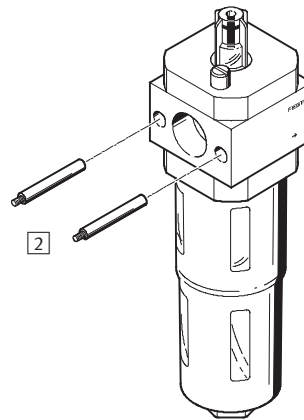
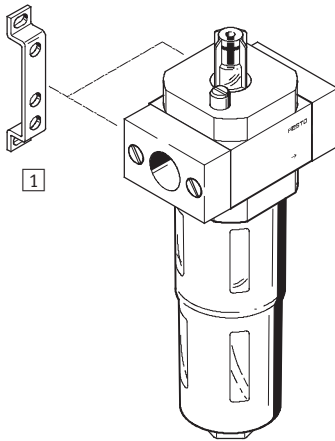
### Mounting attachments and accessories

	Individual unit		Combination		→ Page/Internet
	with port blocks	without port blocks	with port blocks	without port blocks	
1 Mounting bracket HFOE	■	■	■	■	hfoe
2 Connecting plate kit PBL	-	■	-	■	pbl
3 Threaded bolt FRB	-	-	■	■	frb

## Mini/Midi/Maxi

Individual unit with port blocks

Individual unit without port blocks, for combination unit



### Mounting attachments and accessories

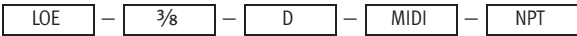
	Individual unit		Combination		→ Page/Internet
	with port blocks	without port blocks	with port blocks	without port blocks	
1 Mounting bracket HFOE	■	-	■	-	hfoe
2 Threaded bolt FRB (must be ordered separately)	-	-	■	■	frb

### Note

For Custom Combinations → FAST Program Selector Guide starting page 10

# LOE Lubricators – D Series, NPT

Type Codes



Basic function	
LOE	Lubricator

Pneumatic connection	
N <sup>1</sup> / <sub>8</sub>	1/8 NPT Thread (for Micro only)
1/8	1/8 NPT Thread
1/4	1/4 NPT Thread
3/8	3/8 NPT Thread
3/4	3/4 NPT Thread
1	1 NPT Thread

Series	
D	Series

Size	
MICRO	Grid dimension 25 mm (without port blocks)
MINI	Grid dimension 40 mm (without port blocks)
MIDI	Grid dimension 55 mm (without port blocks)
MAXI	Grid dimension 60 mm (without port blocks)

NPT connection (where available)	
NPT	NPT threaded connection (not in typecode for Micro)



## LOE Lubricators – D Series, NPT


Ordering Data

**FESTO**

Ordering data			
Lubricator, input pressure 0 ... 10 bar			
Size	Connection	Part No.	Type
Micro	With threaded connecting plates		
	1/8 NPT	526311	LOE-N1/8-D-MICRO

Ordering data			
Lubricator, input pressure 0 ... 16 bar, metal bowl guard			
Size	Connection	Part No.	Type
Without threaded port blocks			
Mini		192575	LOE-D-MINI
Midi		192576	LOE-D-MIDI
Maxi		192577	LOE-D-MAXI

Ordering data			
Lubricator, input pressure 0 ... 16 bar, metal bowl guard			
Size	Connection	Part No.	Type
With threaded port blocks			
Mini	1/8 NPT	173820	LOE-1/8-D-MINI-NPT
	1/4 NPT	173821	LOE-1/4-D-MINI-NPT
	3/8 NPT	173822	LOE-3/8-D-MINI-NPT
Midi	3/8 NPT	173823	LOE-3/8-D-MIDI-NPT
	1/2 NPT	173824	LOE-1/2-D-MIDI-NPT
	3/4 NPT	173825	LOE-3/4-D-MIDI-NPT
Maxi	3/4 NPT	173826	LOE-3/4-D-MAXI-NPT
	1 NPT	173827	LOE-1-D-MAXI-NPT

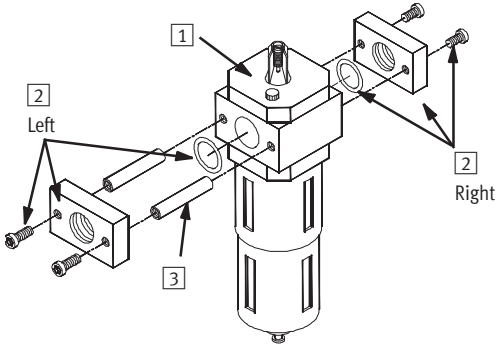
Ordering data – Special Oil			
	Scope of delivery	Part No.	Type
	1 liter	152811	OFSW-32

# FAST\* Program – LOE Lubricator Selector Guide

LOE Lubricators – D Series, NPT



\*FAST = Festo Assured Shipping Time. Ordering via the FAST program means same day / next day shipping from our warehouse of the parts required to assemble a complete air preparation unit.



A complete Lubricator assembly consists of the following items:

Item	Description	Qty Required per Assy
1	Main Unit	1
2	Port Block Kit	2 (one left, one right)
3	Single Unit Joining Rod	2
4	Mounting Bracket Kit (Optional) (Not shown)	1

**Step 1:** Based upon the required Port Size, Maximum Flow, and Thread Type, select the Main Unit (Item 1) and the Left and Right Port Block Kits (Item 2).

Port size	Max. Flow (l/min/scfm)	Product Type / Description	Item				
			1	2			
			Main Unit	NPT Thread		BSP Thread	
				Left Port Block Kit	Right Port Block Kit	Left Port Block Kit	Right Port Block Kit
1/8	1300/45.9	LOE-...-D-MINI-...	546431	546520	546521	546495	546496
1/4	2300/81.2	LOE-...-D-MIDI-...	546427	546522	546523	546497	546498
	2800/98.9			546536	546537	546532	546533
3/8	2700/95.4	LOE-...-D-MINI-...	546431	546524	546525	546499	546500
	5500/194.2	LOE-...-D-MIDI-...	546427	546530	546531	546501	546502
1/2	6100/215.4	LOE-...-D-MIDI-...	546517	546526	546527	546503	546504
	8300/293.1	LOE-...-D-MAXI-...		546538	546539	546534	546535
3/4	6300/222.5	LOE-...-D-MIDI-...	546427	546528	546529	546505	546506
	8400/296.6	LOE-...-D-MAXI-...	546517	546490	546492	546507	546508
1	9000/317.8			546491	546493	546509	546510

**Step 2:** Based upon the Product Type/Description from Step 1, select the Joining Rods (Item 3) and the (optional) Mounting Bracket Kit (Item 4).

Product Type/Description	Item	
	3	4 (Optional)
LOE-...-D-MINI-...	546483	159638
LOE-...-D-MIDI-...	546489	159593
LOE-...-D-MAXI-...	546494	

**Step 3:** Determine the appropriate quantity of each Item.

**Ordering Example:**

**Required:** 3/8 port size, 5000 l/min flow, BSP threads, and Mounting Bracket Kit.

	Item	Part No.	Qty	Description
Order:	1	546427	1	Main Unit
	2	546501	1	Left Port Block Kit
		546502	1	Right Port Block Kit
	3	546489	2	Single Unit Joining Rod
	4	159593	1	Mounting Bracket Kit

# Festo - Your Partner in Automation



**1 Festo Inc.**  
5300 Explorer Drive  
Mississauga, ON L4W 5G4  
Canada

**Festo Customer Interaction Center**  
Tel: 1 877 463 3786  
Fax: 1 877 393 3786  
Email: [customer.service.ca@festo.com](mailto:customer.service.ca@festo.com)



**2 Festo Pneumatic**  
Av. Ceylán 3,  
Col. Tequesquináhuac  
54020 Tlalnepantla,  
Estado de México

**Multinational Contact Center**  
01 800 337 8669  
[ventas.mexico@festo.com](mailto:ventas.mexico@festo.com)



**3 Festo Corporation**  
1377 Motor Parkway  
Suite 310  
Islandia, NY 11749

**Festo Customer Interaction Center**  
1 800 993 3786  
1 800 963 3786  
[customer.service.us@festo.com](mailto:customer.service.us@festo.com)



**4 Regional Service Center**  
7777 Columbia Road  
Mason, OH 45040

Connect with us



[www.festo.com/socialmedia](http://www.festo.com/socialmedia)



[www.festo.com](http://www.festo.com)

Subject to change